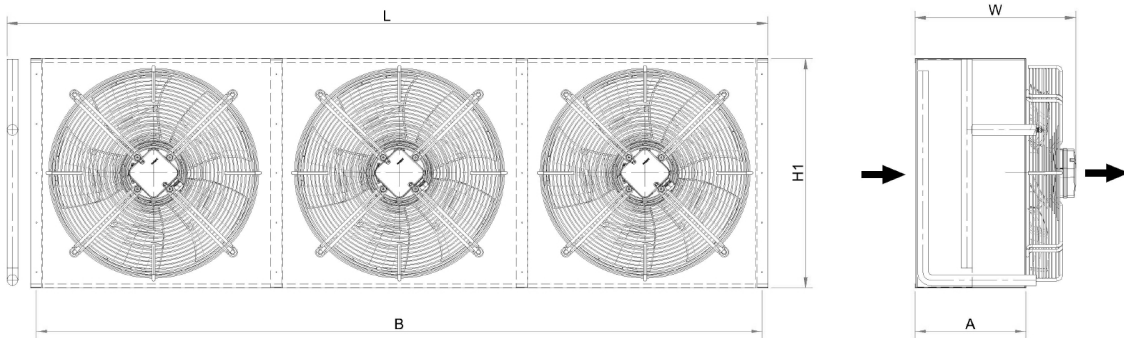


TCC E 050.A13-B3-25-S1N

Air Cooled Condensers

Heat Exchanger Technical Specifications

Model: TCC E 050.A13-B3-25-S1N



Dimensions

C :	0 mm	W :	430 mm	B :	2280 mm	H2 :	0 mm	L :	2365 mm
H1 :	760 mm	F :	0 mm	E :	0 mm	B1 :	0 mm	A :	280 mm
K :	0 mm	Y :	0 mm	ØDin :	1 x 35 [1 3/8"]	ØDout :	1 x 28 [1 1/8"]	Wg :	51 kg

Capacity Information

Capacity	49,855.49 Watt	Heat Transfer Area	83.83 m ²
Air T-inlet-RH / T-outlet-RH	25 °C-50 % / 31.87 °C - 33.38 %	Tube Volume	9.68 dm ³
Condensation Temperature / ΔT	40.00 °C / 15 K	Fin Spacing	2.5 mm
Sub Cooling / Gaz Sıcaklığı	1 K / 70 °C	Test Pressure	53 bar
Refrigerant	R404A (Dew) (GPW: 3922)	Max. Operating Pressure	35 bar
Fluid Flow / Pressure Drop	1109.11 kg/h / 57.58 kPa	Energy Efficiency Class (3)	E
Altitude	0 m	Pad Fluid Group	2
		Pad Category	Gas-II

Fan Specifications (ROSENBERG)

Airflow Rate	22,053.49 m ³ /h	Air Throw (Std./Strm.&Diff.)[Ref:0,25 m/s]	- m
Fan Diameter / Motor Type	Ø 500 mm / AC	Sound Power Level (LWA)	85 dBA
Number of Fans	3 Pcs	Sound Pressure Level (LPA)(2)	53 dBA
Total Fan Power	2.1 kW	Distance	10 m
Total Fan Current	9.6 A	Insulation Class	A
Voltage / Frequency / Phase	230 V / 50 Hz / 1 Phase	Protection Class	IP54
Fan Speed	1245 d/d	Temperature Range	55 °C

Notes

- 1) Capacity Correction For Altitude is According To Engineering Calculations.
- 2) Sound Pressure Calculation Standard: En13487
- 3) Energy Efficiency Class Calculation Standards: En327 Standard. Standard Conditions: Tair Inlet=25 °C, Tcond.= 40 °C, R404A, P= 1,01325 Bar.
- 4) TWATT product selection program is a Thermoway thermal device software. The data and images used belong to TWATT. The unauthorized use of data and images is prohibited. TWATT reserves the right to change all size and capacity values without prior notice.
- 5) For high pressure refrigerants such as R410A, please contact us to check maximum working pressure.