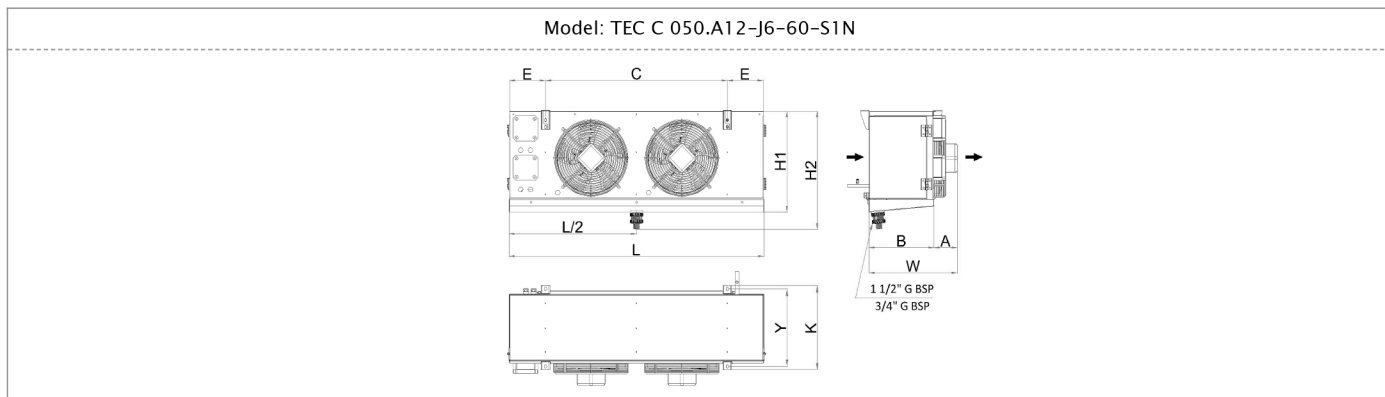




TEC C 050.A12-J6-60-S1N

Air Cooler

Heat Exchanger Technical Specifications



Dimensions									
C :	1590 mm	W :	606 mm	B :	472 mm	H2 :	794 mm	L :	1942 mm
H1 :	719 mm	F :	0 mm	E :	176 mm	B1 :	0 mm	A :	135 mm
K :	550 mm	Y :	510 mm	ØDin :	1 x 16 [5/8"]	ØDout :	1 x 35 [1 3/8"]	Wg :	106 kg

Evaporator Capacity Information			
Capacity	17,300.63 Watt	Heat Transfer Area	67.98 m ²
Average Room Temperature / Relative Humidity	0.00 - 85 % / -2.80 °C - 96.69%	Tube Volume	18.53 dm ³
Evaporation Temperature / ΔT	-8.00 °C / 8 K	Fin Spacing	6 mm
Superheating / Subcooling	5.2 K / 1 K	Test Pressure	40 bar
Condensation Temperature	40 °C	Max. Operating Pressure	26 bar
Refrigerant	R404A (Dew) (GPW: 3922)	Energy Efficiency Class (3)	E
Fluid Flow / Pressure Drop	575.98 kg/h / 15.02 kPa	Pad Fluid Group	2
Altitude	0 m	Pad Category	Gas-II

Evaporator Fan Information (ROSENBERG)			
Airflow Rate / Air Velocity	13,332.59 m ³ /h / 3.71 m/s	Air Throw (Std./Strm.&Diff.) [Ref: 0,25 m/s]	19/33 m
Fan Diameter / Motor Type	Ø 500 mm / AC	Sound Power Level (LWA)	83 dBA
Number of Fans	2 Pcs	Sound Pressure Level (LPA)(2)	61 dBA
Total Fan Power	1.4 kW	Distance	3 m
Total Fan Current	6.4 A	Insulation Class	A
Voltage / Frequency / Phase	230 V / 50 Hz / 1 Phase	Protection Class	IP54
Fan Speed	1245 d/d	Temperature Range	55 °C

Notes

- 1) Capacity Correction For Altitude is According To Engineering Calculations.
- 2) Sound Pressure Calculation Standard: En13487
- 3) Energy Efficiency Class Calculation Standards: En328 Standard. Standard Conditions: Sc2,R404A
- 4) TWATT product selection program is a Thermoway thermal device software. The data and images used belong to TWATT. The unauthorized use of data and images is prohibited. TWATT reserves the right to change all size and capacity values without prior notice.
- 5) For high pressure refrigerants such as R410A, please contact us to check maximum working pressure.