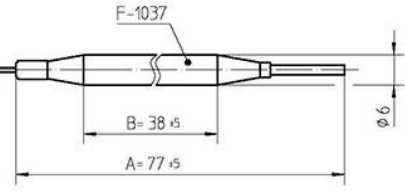
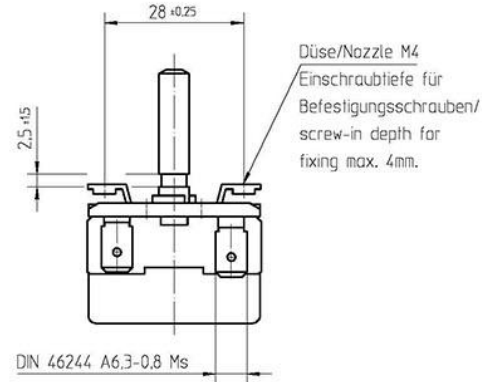
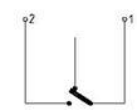


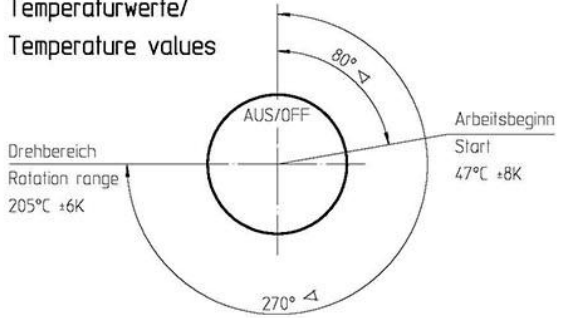
870 +50 mm lang/length



Schaltschema/
Wiring diagram



Temperaturwerte/
Temperature values



Temperaturregler bei Spindelstellung Anschlag links gezeichnet/
Thermostat drawn in minimum position

Genehmigte technische Daten/Approved technical data
56.13000.000, BI.901

Bemerkungen/Notes:

Normalklima/Standard atmosphere DIN EN 60068-1 (23±2)°C
Temperaturen sind AUS-Werte/Temperatures are OFF values
Schaltdifferenz/Differential: (5±2,5)K
(in Werksnormbad/in E.G.O. standard bath)
Min. Fühlertemperatur/Min. sensor temperature: -10°C
Max. Fühlertemperatur/Max. sensor temperature: 270°C
(aus Sicherheitsgründen/for security reasons)
Schnappfeder/snap action spring: NiBe
Max. Gehäusetemperatur/Max. housing temperature (VDE): 85°C

Min. Biegeradius Kapillarrohr/
Min. bending radius of capillary tube: 5 mm
Für Einsatz in Umgebungsbedingungen mit
normaler Verunreinigung/
For application with normal pollution level (Typ 1 B)
Kunden-Zeichnungs-Nr./Customer drawing-No.:

Korrekturfaktor/correction factor: c = 0,32 [K/K]
(bez. auf Umgebungstemp./based on ambient temperature)

This document is exclusively committed to you for the agreed purpose. Any kind of duplication, utilization or communication of its content is prohibited, if not expressly conceded otherwise. Violators are committed to pay compensations. Any claims of existing or future property rights remain unaffected.		Blank No.	EN Mat.No.	Scale Unit	
		Material		Scale 1:1	
		Surface Texture ISO 1302			
		General Tolerances ISO 2768-v			
		Designation			
		EGO Temperaturregler			
		EGO Thermostat			
1	CD0001	2010-12-15	Create	2005-11-16	PLITTK
Cha.	Information No.	Date	Proc.	2005-11-16	PLITTK
F.Rel.	E05859	2005-11-16	Rel.	2005-11-16	KESSELBG
		Drawing No.	Sh.No.	Ver.	Stat.
		56.13042.001	001	0 F	1
Origin 97.56130.002		Repl.for	Repl.by	Reference RM	