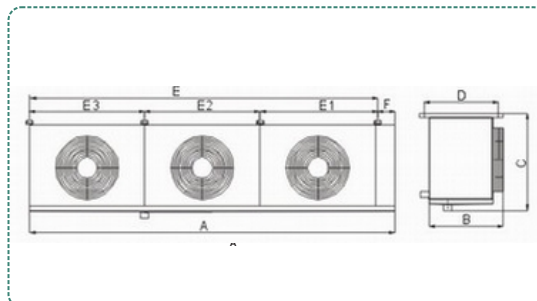




### FAVOR MAC 12/135 ME

614FR083 MAC 12/135ME

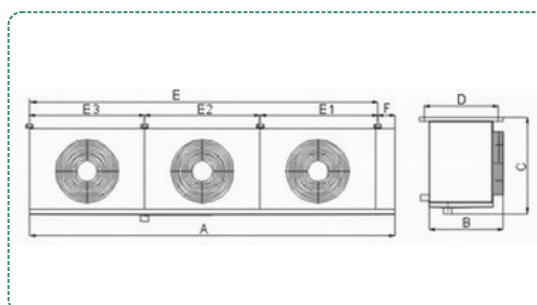
- Isparivač FAVOR
- Rashladnog kapaciteta 3,1KW pri 0°C~ΔT8
- Korak lamele - 6mm
- Površina lamela - 11,5m<sup>2</sup>
- Dimenzije A=885mm - B=460mm - C=575mm
- Ventilator = 1 X Ø350
- Protok vazduha 2800m<sup>3</sup>/h
- Grejač otapanja- Da



### FAVOR MAC 17/135 ME

614FR084 MAC 17/135ME

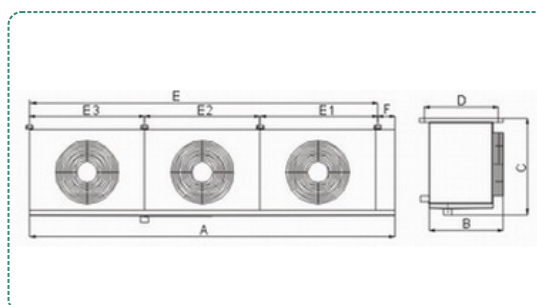
- Isparivač FAVOR
- Rashladnog kapaciteta 4,3KW pri 0°C~ΔT8
- Korak lamele - 6mm
- Površina lamela - 17,3m<sup>2</sup>
- Dimenzije A=885mm - B=460mm - C=575mm
- Ventilator = 1 X Ø350
- Protok vazduha 2500m<sup>3</sup>/h
- Grejač otapanja- Da



### FAVOR MAC 23/235 ME

614FR085 MAC 23/235ME

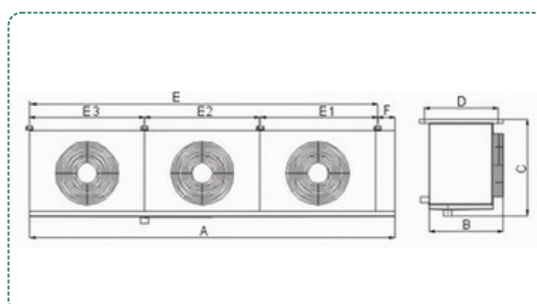
- Isparivač FAVOR
- Rashladnog kapaciteta 6,2KW pri 0°C~ΔT8
- Korak lamele - 6mm
- Površina lamela - 23m<sup>2</sup>
- Dimenzije A=1485mm - B=460mm - C=575mm
- Ventilator = 2 X Ø350
- Protok vazduha 5600m<sup>3</sup>/h
- Grejač otapanja- Da



### FAVOR MAC 33/145 ME

614FR086 MAC 33/145ME

- Isparivač FAVOR
- Rashladnog kapaciteta 7,66KW pri 0°C~ΔT8
- Korak lamele - 6mm
- Površina lamela - 32,6m<sup>2</sup>
- Dimenzije A=1205mm - B=600mm - C=730mm
- Ventilator = 1 X Ø450
- Protok vazduha 5200m<sup>3</sup>/h
- Grejač otapanja- Da

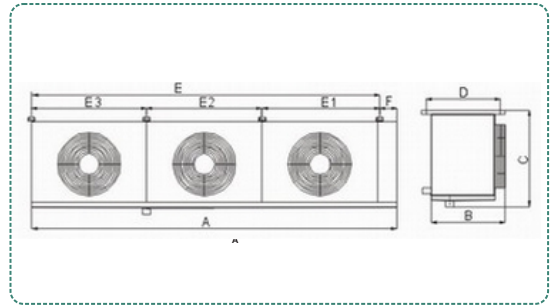


## FAVOR MAC 44/145 ME

614FR087

MAC 44/145ME

- Isparivač FAVOR
- Rashladnog kapaciteta 9,13KW pri  $0^{\circ}\text{C} \sim \Delta T8$
- Korak lamele - 6mm
- Površina lamela -  $43,5\text{m}^2$
- Dimenzije A=1205mm - B=600mm - C=575mm
- Ventilator = 1 X  $\text{Ø}450$
- Protok vazduha  $5000\text{m}^3/\text{h}$
- Grejač otapanja- Da

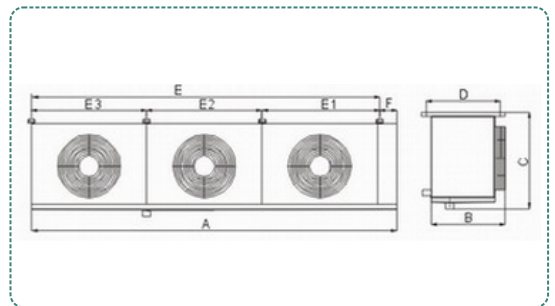


## FAVOR MAC 9/135 LE

614FR088

MAC 9/135LE

- Isparivač FAVOR
- Rashladnog kapaciteta 2KW pri  $-18^{\circ}\text{C} \sim \Delta T7$
- Korak lamele - 8,5mm
- Površina lamela -  $8,6\text{m}^2$
- Dimenzije A=885mm - B=460mm - C=575mm
- Ventilator = 1 X  $\text{Ø}350$
- Protok vazduha  $3000\text{m}^3/\text{h}$
- Grejač otapanja- Da

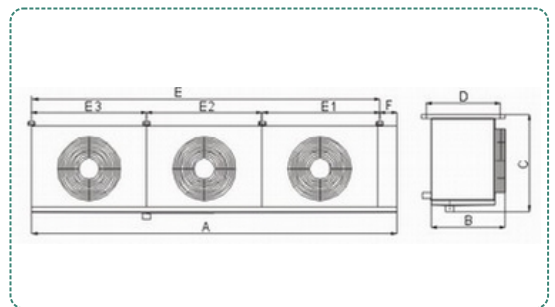


## FAVOR MAC 13/135 LE

614FR089

MAC 13/135LE

- Isparivač FAVOR
- Rashladnog kapaciteta 2,7KW pri  $-18^{\circ}\text{C} \sim \Delta T7$
- Korak lamele - 8,5mm
- Površina lamela -  $13\text{m}^2$
- Dimenzije A=885mm - B=460mm - C=575mm
- Ventilator = 1 X  $\text{Ø}350$
- Protok vazduha  $2600\text{m}^3/\text{h}$
- Grejač otapanja- Da

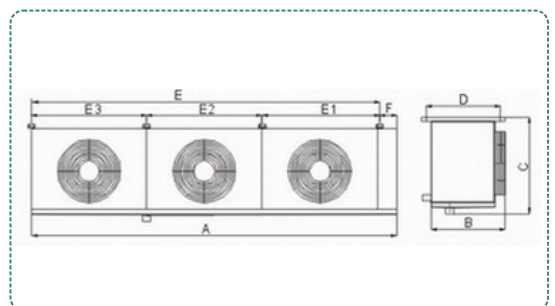


## FAVOR MAC 17/235 LE

614FR090

MAC 17/235LE

- Isparivač FAVOR
- Rashladnog kapaciteta 4KW pri  $-18^{\circ}\text{C} \sim \Delta T7$
- Korak lamele - 8,5mm
- Površina lamela -  $17,3\text{m}^2$
- Dimenzije A=1485mm - B=460mm - C=575mm
- Ventilator = 2 X  $\text{Ø}350$
- Protok vazduha  $6000\text{m}^3/\text{h}$
- Grejač otapanja- Da

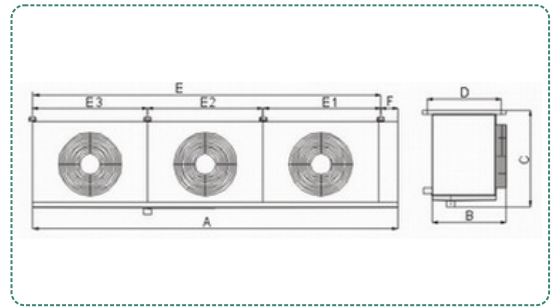


## FAVOR MAC 25/145 LE

614FR092

MAC 25/145LE

- Isparivač FAVOR
- Rashladnog kapaciteta 5,4KW pri  $-18^{\circ}\text{C} \sim \Delta T7$
- Korak lamele - 8,5mm
- Površina lamela -  $24,5\text{m}^2$
- Dimenzije A=1205mm - B=600mm - C=730mm
- Ventilator = 1 X Ø450
- Protok vazduha  $5000\text{m}^3/\text{h}$
- Grejač otapanja- Da



## FAVOR MAC 26/235 LE

614FR091

MAC 26/235LE

- Isparivač FAVOR
- Rashladnog kapaciteta 5,35KW pri  $-18^{\circ}\text{C} \sim \Delta T7$
- Korak lamele - 8,5mm
- Površina lamela -  $25,9\text{m}^2$
- Dimenzije A=1485mm - B=460mm - C=575mm
- Ventilator = 2 X Ø350
- Protok vazduha  $5200\text{m}^3/\text{h}$
- Grejač otapanja- Da

